

➤ SLUDGE BLANKET MEASUREMENT

ACTEON 2054/2055 TRANSMITTER

IR absorption optical measurement technique.

- Robust, watertight, easy to fit,
- Widescreen graphic display: instant measurements, trend line, relay state, calibration state,
- Fast and simple intuitive programming,
- 4-20 mA outputs, 2 programmable relays.



OPTICAL TRANSMITTERS

Fields of application

- Wastewater treatment (primary and secondary settling tanks),
- Oil separators (filling level alarm),
- Dairy plants (rainwater solids detection).

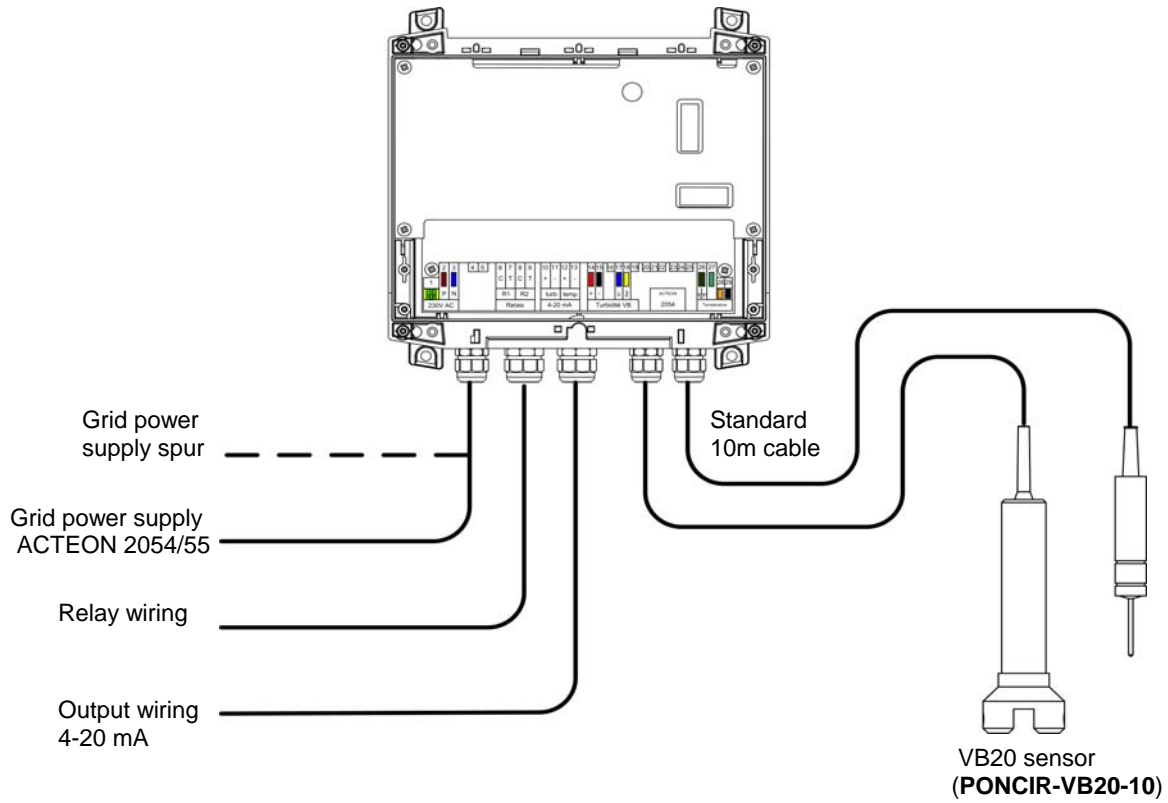
Advantages

- Widescreen graphic display for up to 24h data graphs,
- Six menus for Intuitive programming,
- Delayed calibration menu for more accurate measurements,
- 2 x 4-20 mA outputs (sludge blanket and temperature), 2 relay outputs (with several programming modes).

Technical specifications

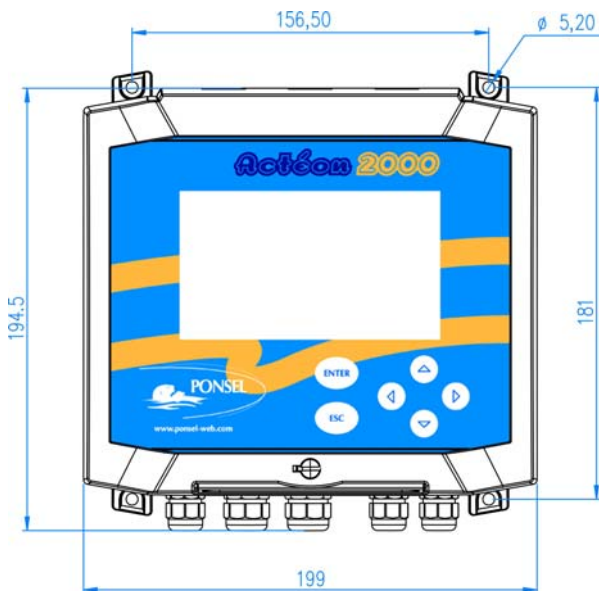
Measurement range	0.0 to 100.0% (VB20 0-3/7 g/L and VB5 0-50 g/L sensors)
Measurement accuracy	± 2 %
Temperature measurement range	-10 to +50°C
Temperature measurement accuracy (°C)	± 0.1 °C
Casing	ABS
Environmental rating	IP 65
Operating temperature range	-25°C to +55°C
Dimensions (L x W x D) /Weight	173 x 195 x 103mm / 1.5kg
Display	Widescreen back-lit graphic display: 240 x 128 pixels (108 x 58mm)
Power supply	230/115VAC 60Hz, Optional: 24Vdc
Max power consumption	10VA
4-20mA outputs	2 galvanic isolation outputs (max load 700ohms): - Adjustable from 0.0 to 100.0 %. - Adjustable from -10 to +50°C.
Relay outputs	2 relays configurable in 2 different modes: - Adjustment in alarm mode (1 sludge blanket and 1 temperature (°C) threshold) - Adjustment in adjustment mode (2 sludge blanket thresholds with 2 relays)

Overview

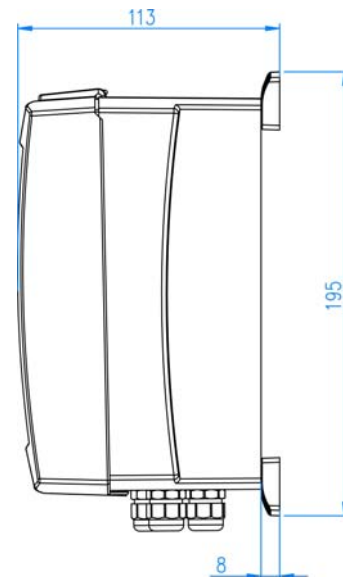


OPTICAL TRANSMITTERS

Dimensions

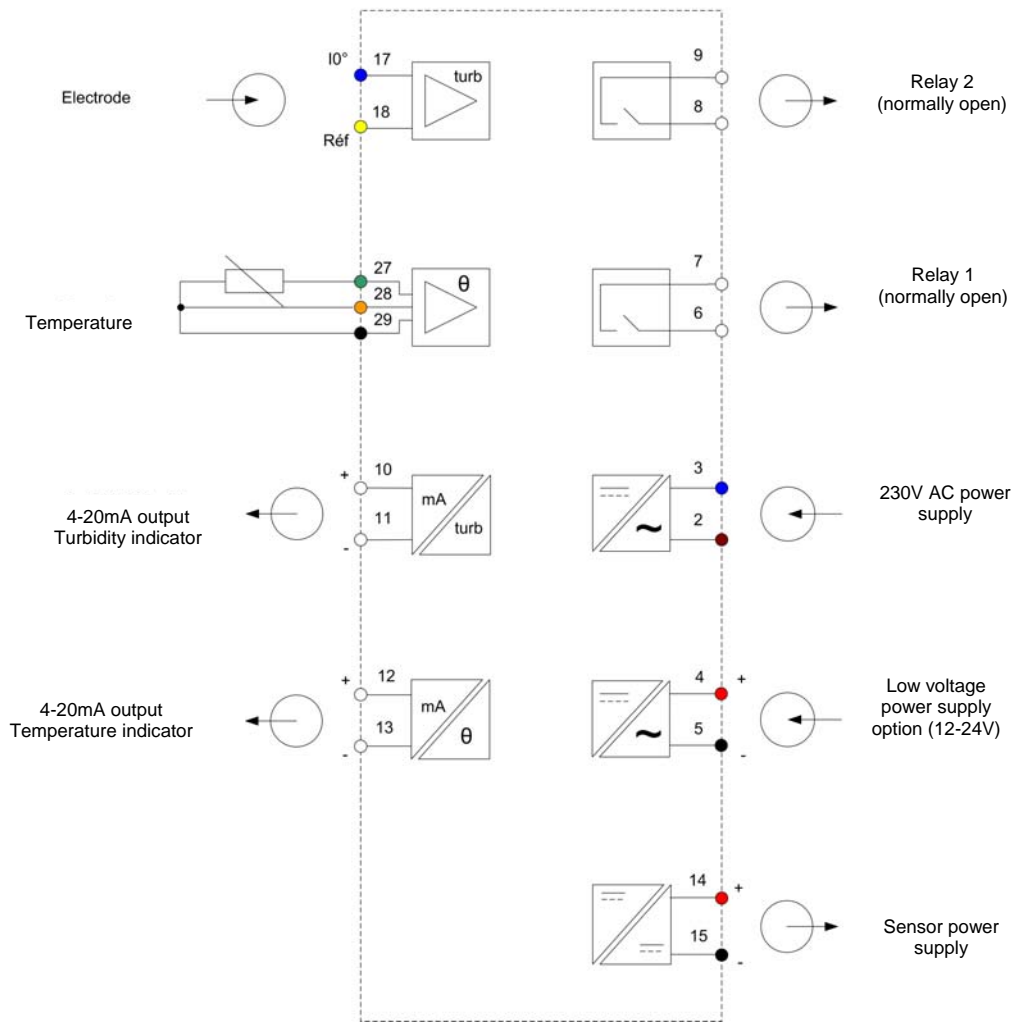


ACTEON 2000 Front view



ACTEON 2000 Side view

Electrical connections

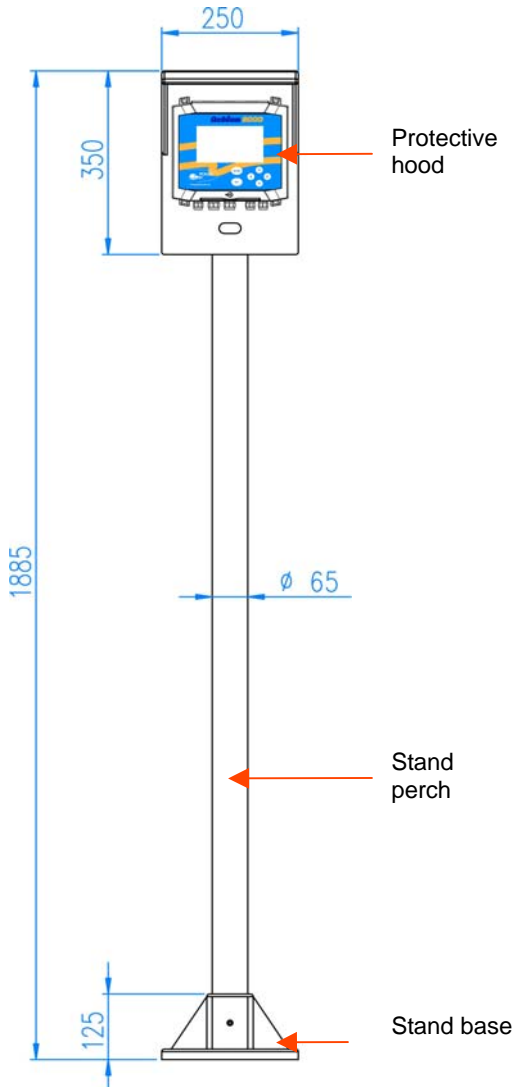


**Only with
12-24V
option**

OPTICAL TRANSMITTERS

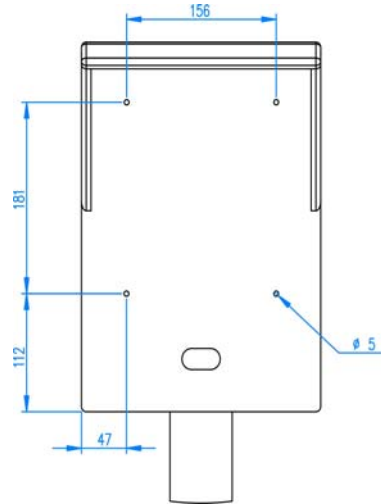
ACTEON 2054/2055 MOUNTING ACCESSORY

Stand and protective hood: PON-PDPVC-1

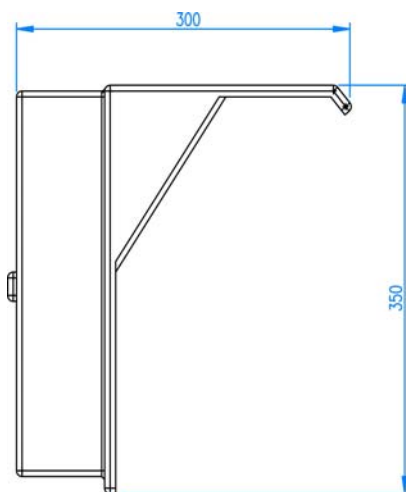


Stand hood - Front view:

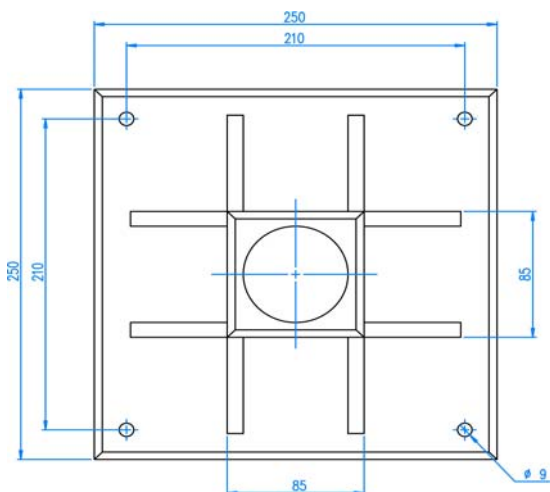
The ACTEON sensor is secured to the hood with 4 M5 type screws.



Stand hood - Side view



OPTICAL TRANSMITTERS



Ground fixing stand base

Fix the stand base onto a flat surface with 4 screws (under M9 diameter)

ACTEON 2057 TRANSMITTER - 2 SENSOR VERSION

IR absorption optical measurement technique

- Robust, watertight, easy to fit,
- Widescreen graphic display: instant measurements, trend line, relay state, calibration state,
- Fast and simple intuitive programming;
- 4-20 mA outputs, 2 programmable relays.



OPTICAL TRANSMITTERS

Fields of application

- Waste water treatment (primary and secondary settling tanks) for sludge extraction control.

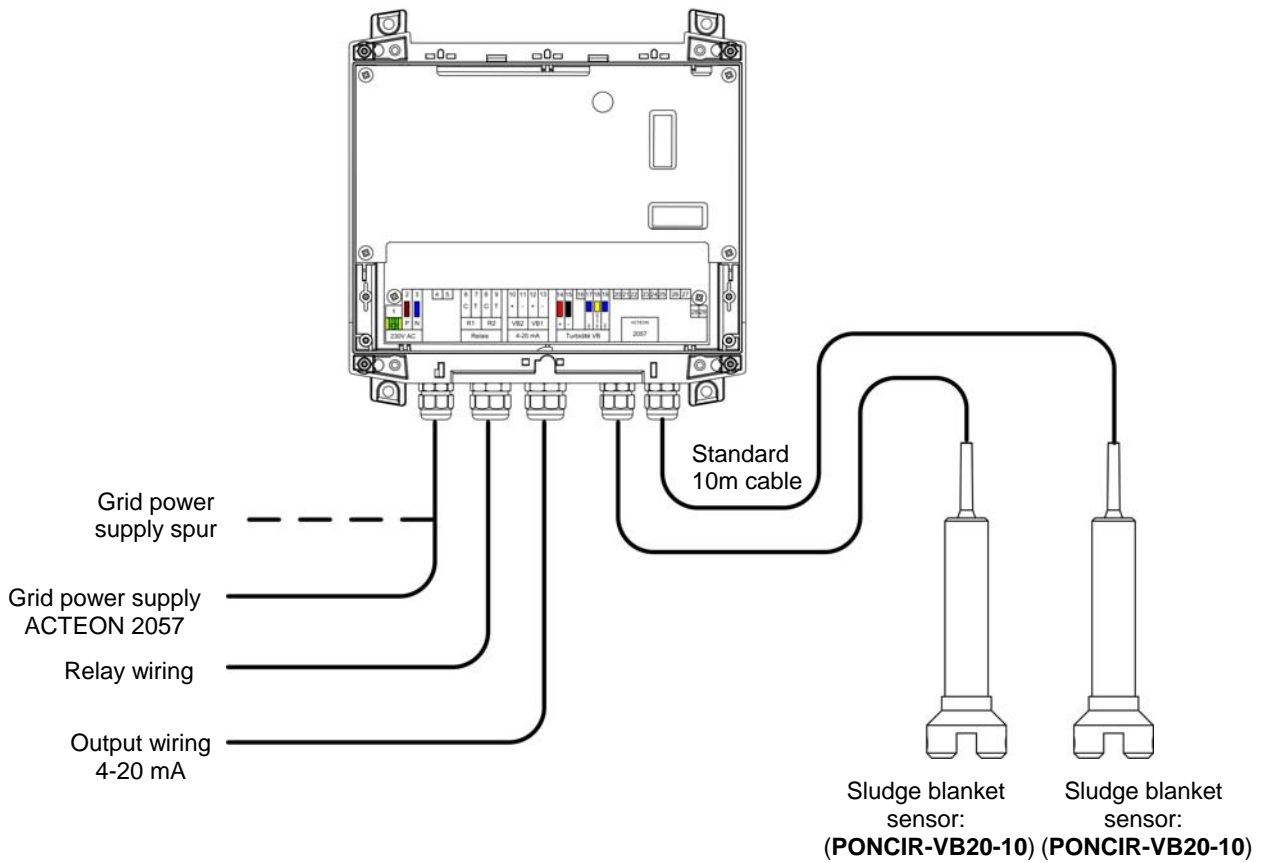
Advantages

- Widescreen graphic display for up to 24h data graphs,
- Six menus for Intuitive programming,
- Delayed calibration menu for more accurate measurements,
- 2 x 4-20 mA outputs (sludge blanket and temperature), 2 relay outputs (with several programming modes).

Technical specifications

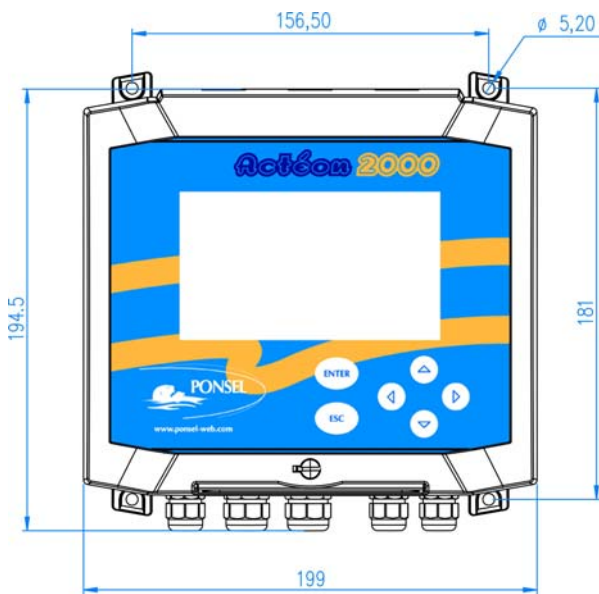
Measurement range	0.0 to 100.0% (VB20 0-3/7 g/L and VB5 0-50 g/L sensors)
Measurement accuracy	± 2 %
Temperature measurement range	-10 to +50 °C
Temperature measurement accuracy (°C)	± 0.1 °C
Casing:	ABS
Environmental rating	IP 65
Operating temperature range	-25°C to +55°C
Dimensions (L x W x D) /Weight	173 x 195 x 103mm / 1.5kg
Display	Widescreen back-lit graphic display: 240 x 128 pixels (108 x 58mm)
Power supply	230/115VAC 60Hz, Optional: 24Vdc
Max power consumption	10VA
4-20mA outputs	2 galvanic isolation outputs (max load 700ohms): - Adjustable from 0.0 to 100.0 %. - Adjustable from 0.0 to 100.0 %.
Relay outputs	2 relays configurable in 2 different modes: - Adjustment in alarm mode (1 sludge blanket and 1 temperature (°C) threshold) - Adjustment in adjustment mode (2 sludge blanket thresholds with 2 relays)

Overview

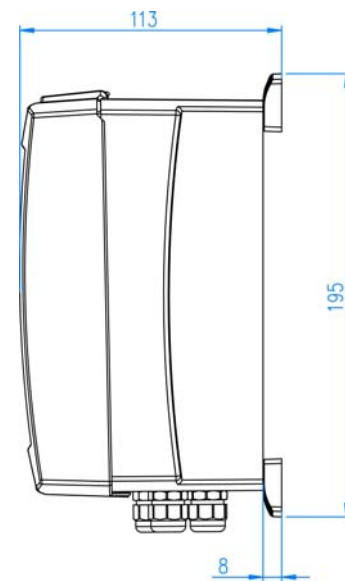


OPTICAL TRANSMITTERS

Dimensions

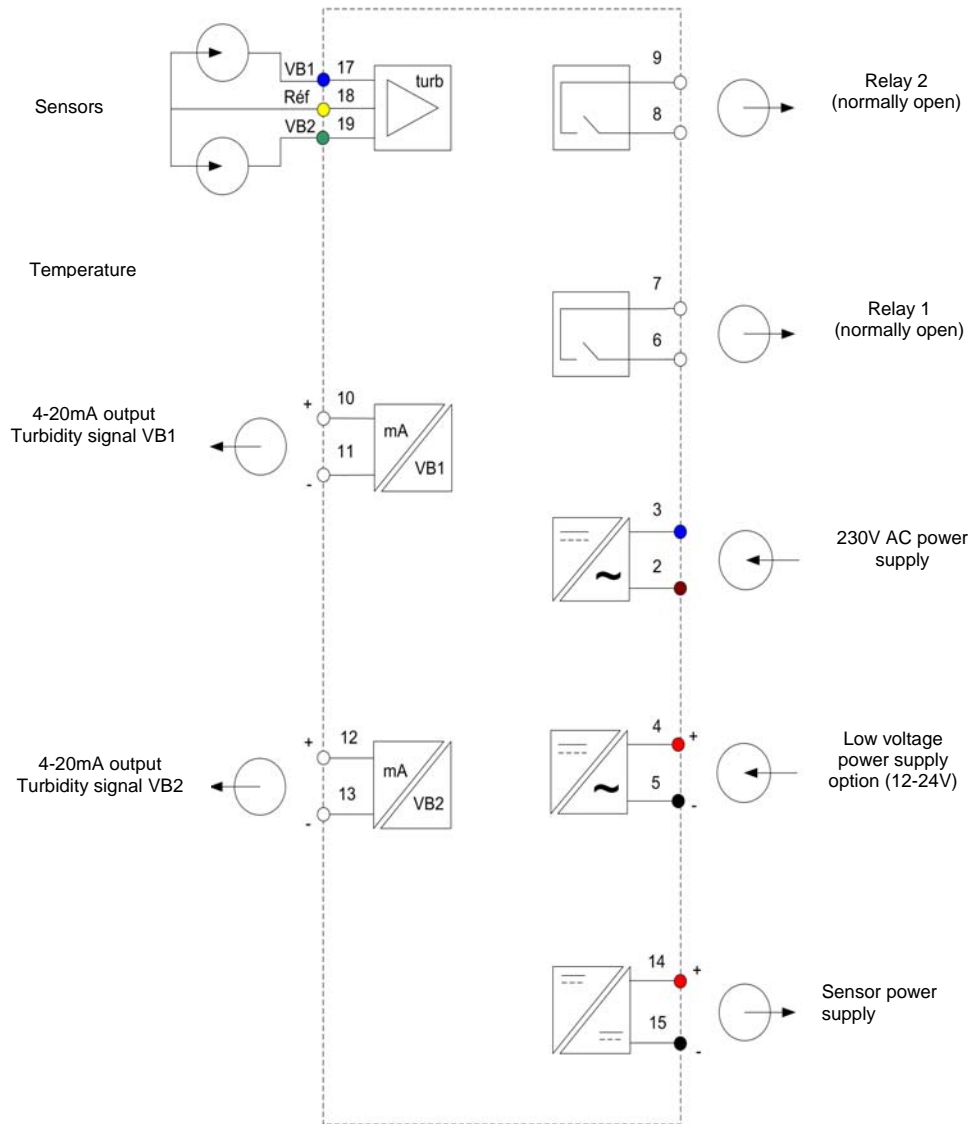


ACTEON 2000 Front view



ACTEON 2000 Side view

Electrical connections

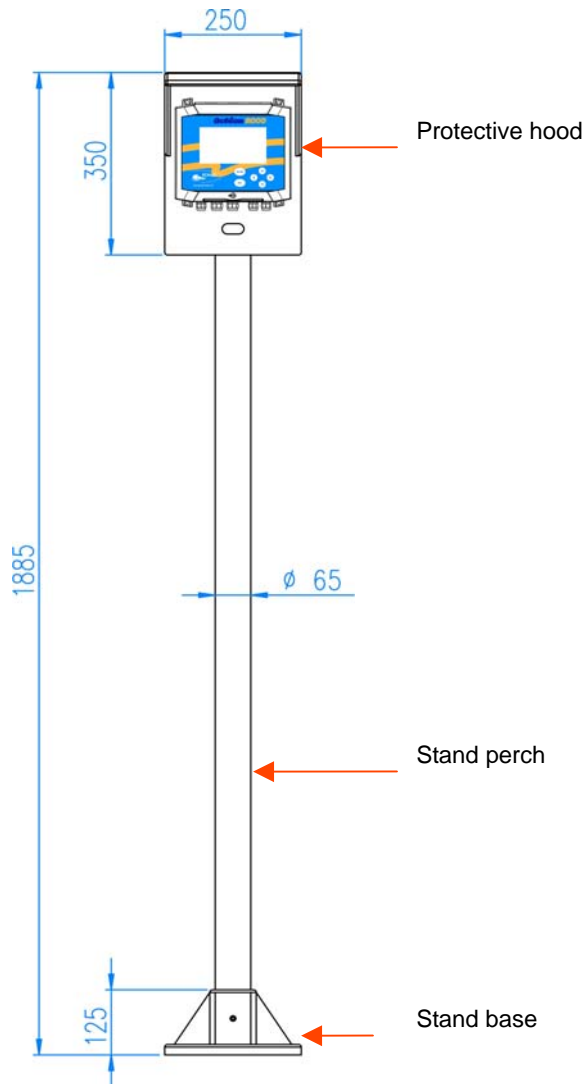


**Only with
12-24V
option**

OPTICAL TRANSMITTERS

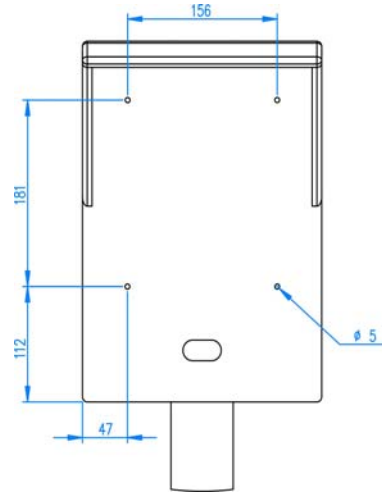
ACTEON 2057 MOUNTING ACCESSORY

Stand and protective hood: PON-PDPVC-1

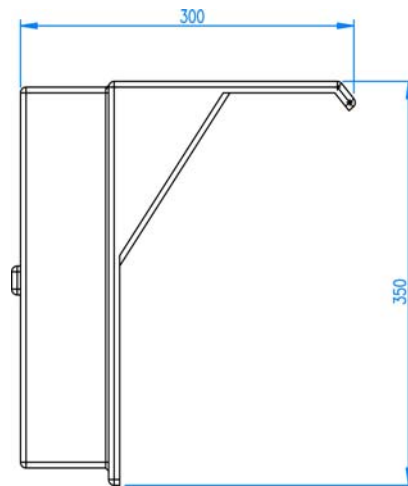


Stand hood - Front view:

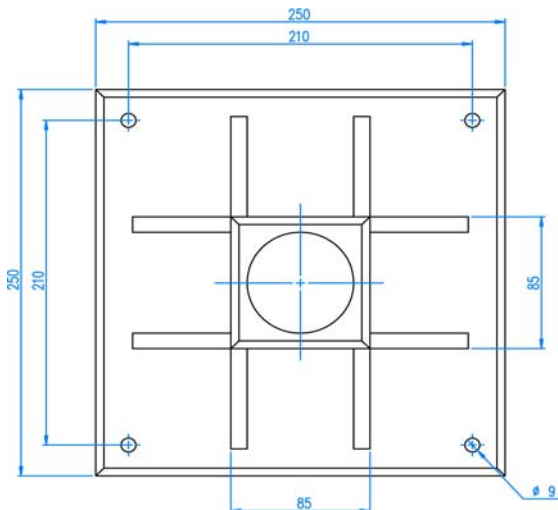
The ACTEON sensor is secured to the hood with 4 M5 type screws.



Stand hood - Side view



OPTICAL TRANSMITTERS



Ground fixing stand base

Fix the stand base onto a flat surface with 4 screws (under M9 diameter)

SLUDGE BLANKET SENSOR (0-3/7 g/l RANGE) : PONCIR-VB20-10

The VB20 sludge blanket sensor is fitted on primary and secondary decanter units (sludge extraction control, overflow monitoring, etc.), oil separator units (tank filling) and certain rainwater solid matter detectors.

The measurement principle is based on 950nm IR absorption: A reading of 100% indicates ultra-clear water while water with large amounts of suspended matter (concentrated sludge) will display 0% (any light is entirely absorbed).

The VB20 is used for sludge concentrations between 0 and 3/7 g/l (according to sludge type).

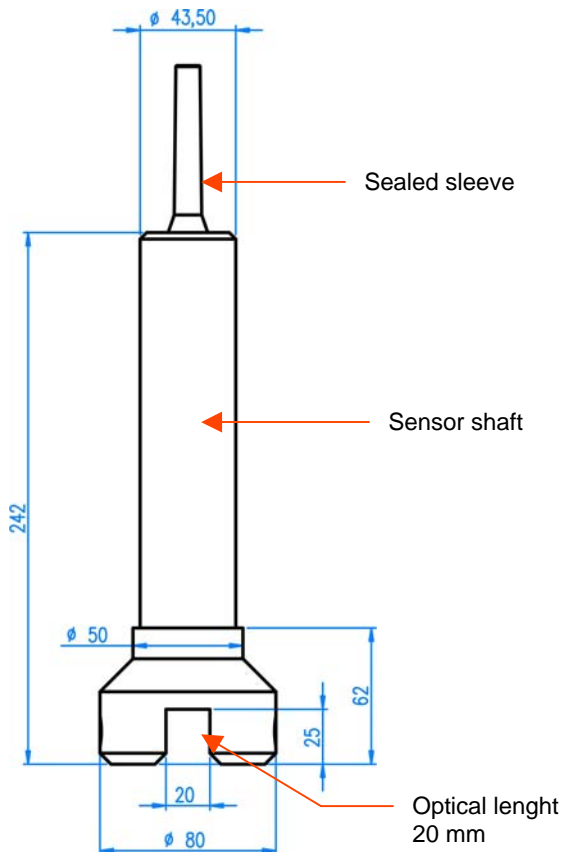


OPTICAL TRANSMITTERS

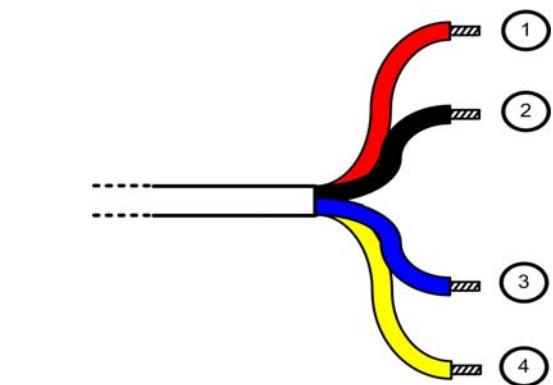
Technical specifications

Measurement principle	Optical IR absorption, pulsed (10Hz frequency) and regulated emission ($\lambda = 950 \text{ nm}$).
Measurement range	0 to 3/7 g/L (according to sludge type)
Material	PVC and special glass
Weight	1.2Kg
Waterproof rating	IP68
Cable	Multiple coated wires, polyurethane sheath. 10m standard length (up to 100m on request)
Optical length	20 mm
Emission wavelength	950 nm (IR)

Dimensions



Electrical connection



- 1 : +
 - 2 : -
 - 3 : VB20 measure
 - 4 : Reference
- } VB Turbidity sensor

SLUDGE BLANKET SENSOR (0-50 g/l RANGE) : PONCIR-VB5-10

The VB5 sludge blanket sensor is fitted on primary and secondary decanter units (sludge extraction control, overflow monitoring, etc.), oil separator units (tank filling) and certain rainwater solid matter detectors.

The measurement principle is based on 950nm IR absorption: A reading of 100% indicates ultra-clear water while water with large amounts of suspended matter (concentrated sludge) will display 0% (any light is entirely absorbed).

The VB5 is used for sludge concentrations between 0 and 50 g/l (according to sludge type).

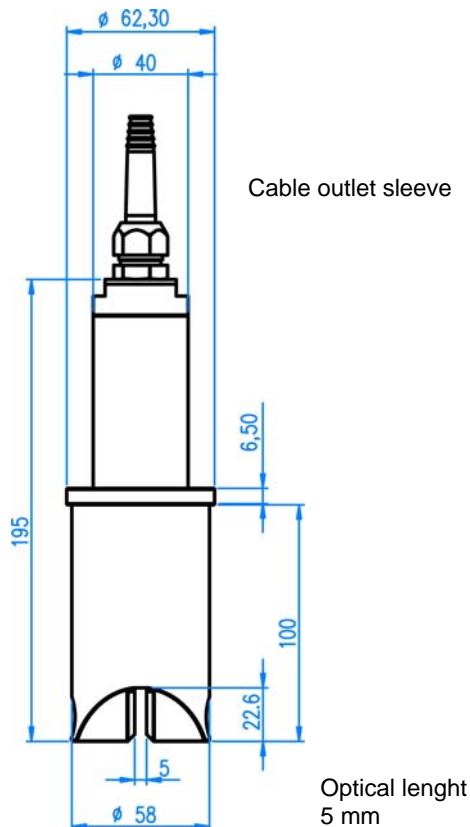


OPTICAL TRANSMITTERS

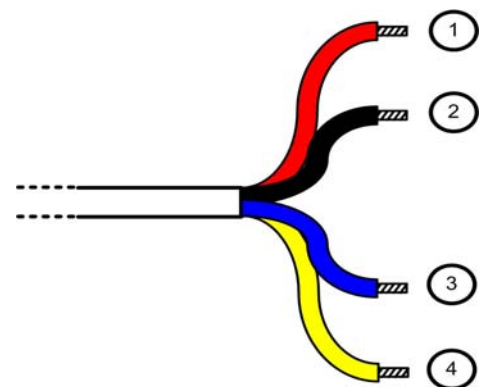
Technical specifications

Measurement principle	Optical IR absorption, regulated and pulsed emission (10Hz frequency)
Measurement range	0 to 50 g/L (according to sludge type)
Material:	PVC and special glass
Weight	1.2Kg
Waterproof rating	IP68
Cable	Multiple coated wires, polyurethane sheath. 10m standard length (up to 100m on request)
Optical length	5 mm
Emission wavelength	950 nm (IR)

Dimensions

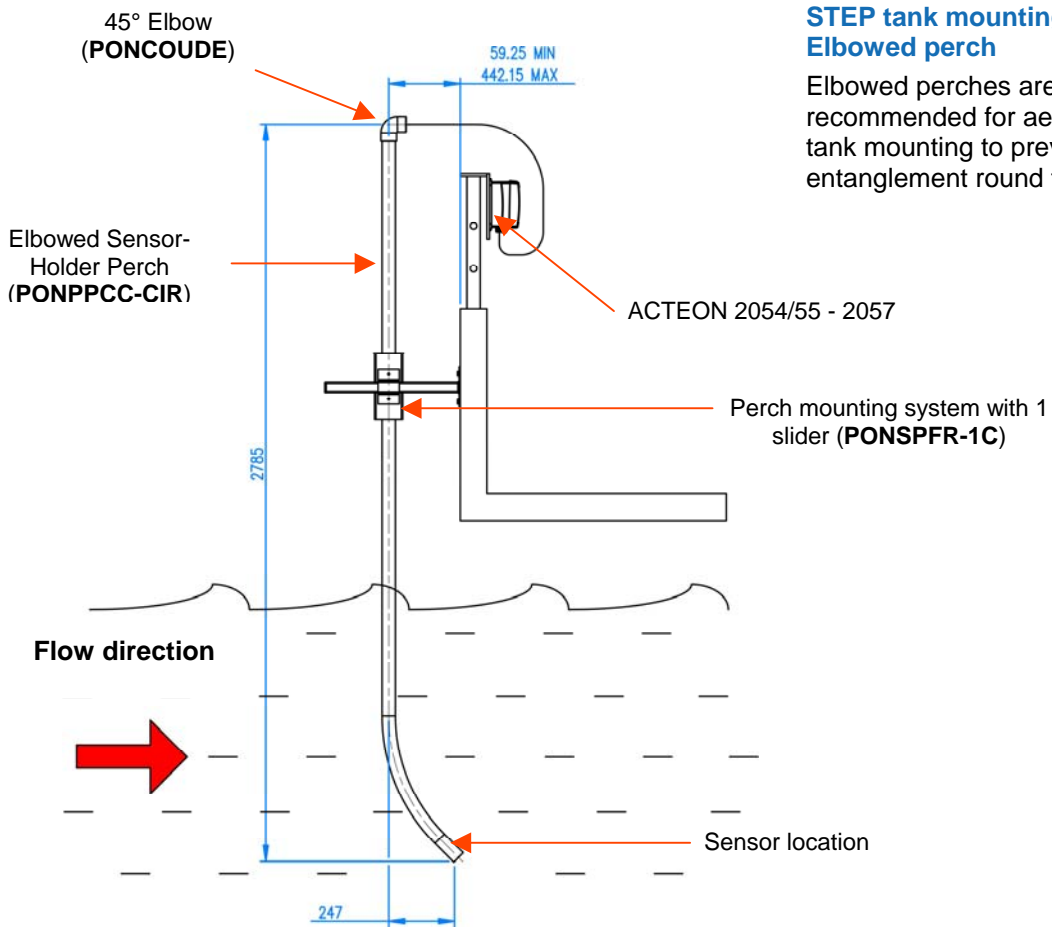


Electrical connection



- 1 : +
 - 2 : -
 - 3 : VB5 measure
 - 4 : Reference
- } **VB Turbidity sensor**

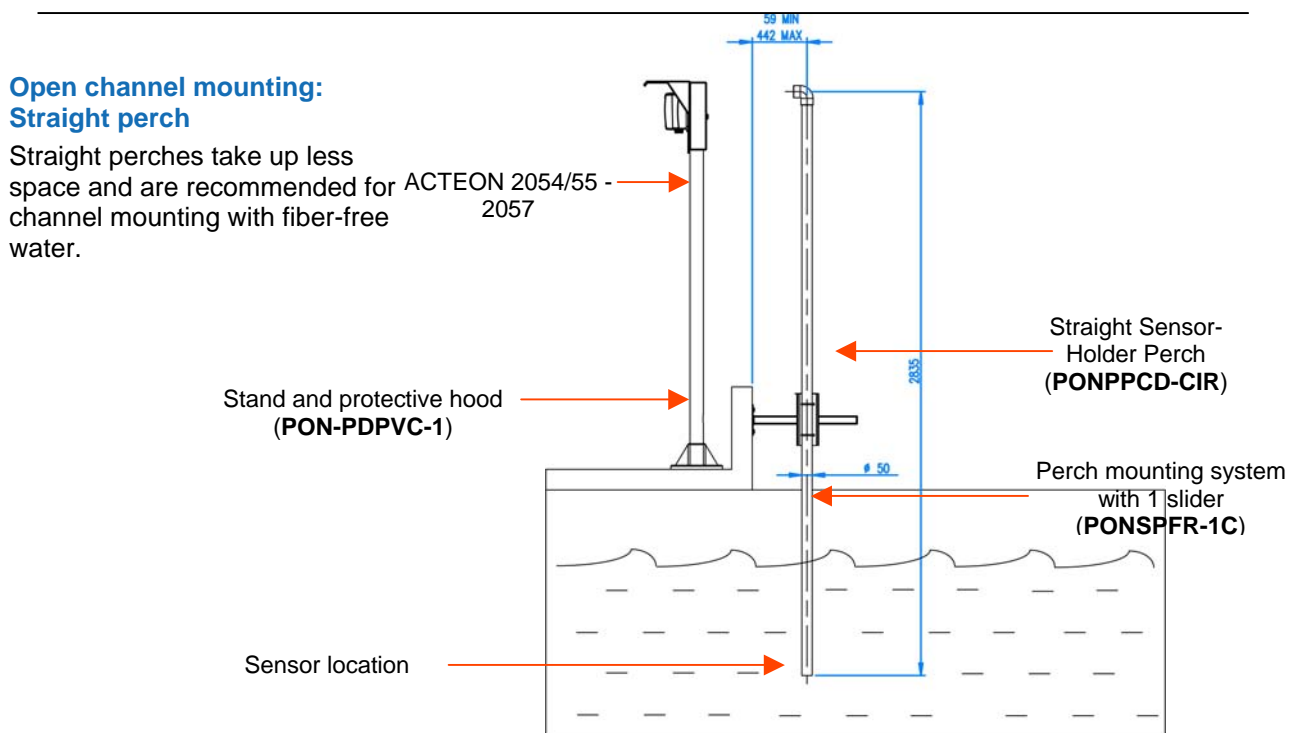
TANK AND OPEN CHANNEL MOUNTING ACCESSORIES



STEP tank mounting: Elbowed perch

Elbowed perches are recommended for aeration tank mounting to prevent fibre entanglement round the

OPTICAL TRANSMITTERS

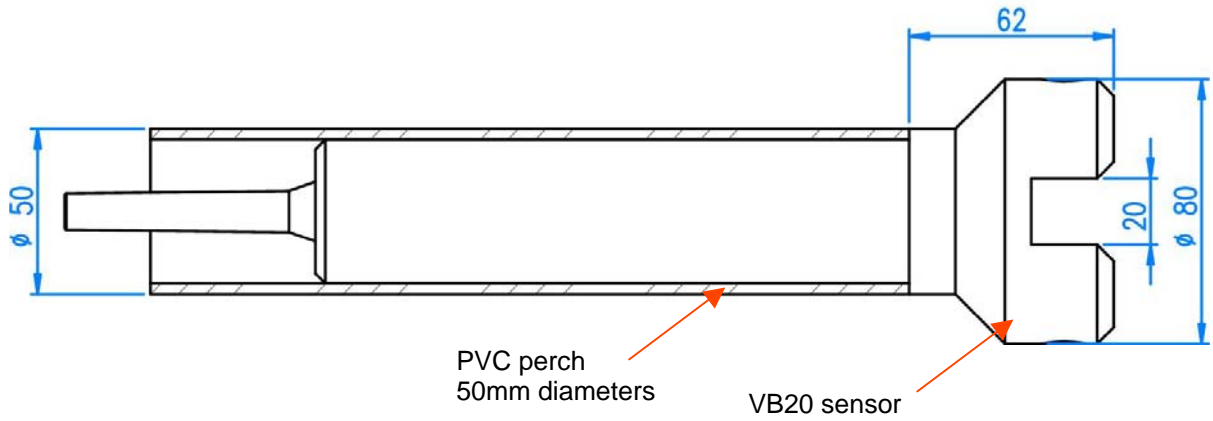


Open channel mounting: Straight perch

Straight perches take up less space and are recommended for channel mounting with fiber-free water.

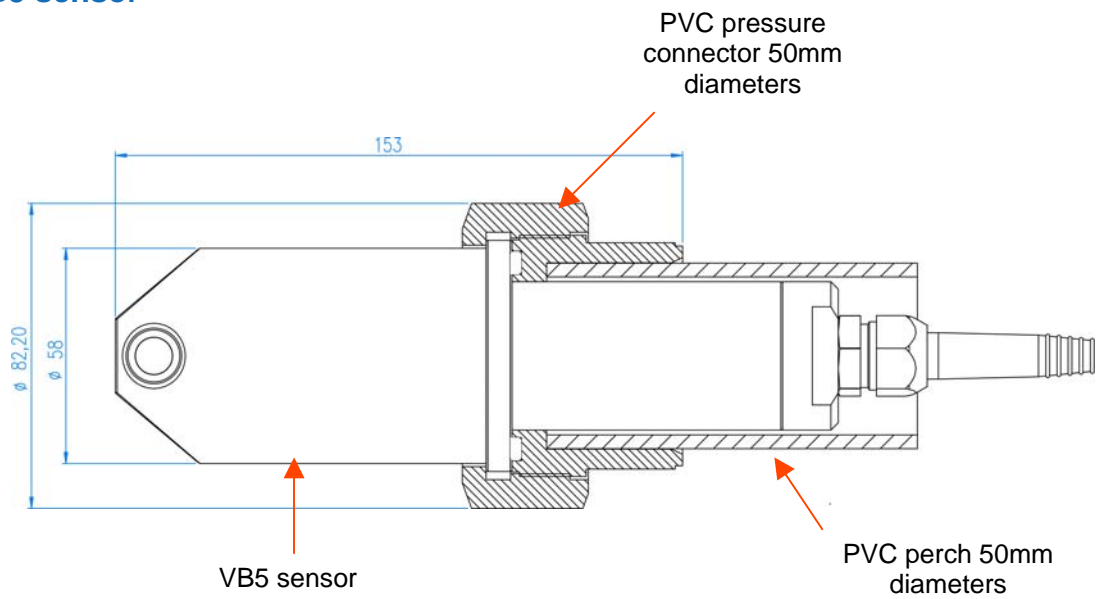
PERCH MOUNTING

➤ VB20 sensor



OPTICAL TRANSMITTERS

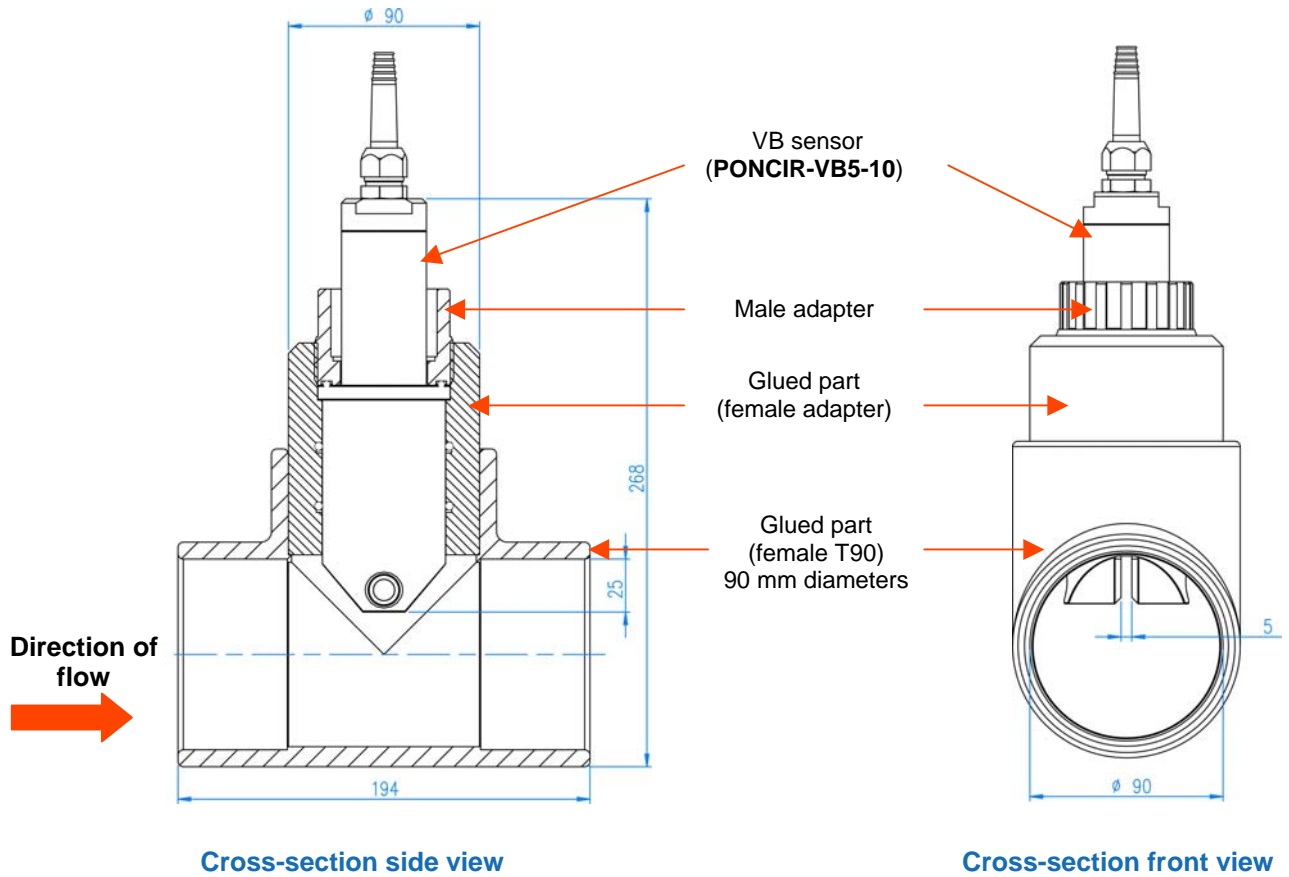
➤ VB5 sensor



PIPE-MOUNTING ACCESSORIES

PVC pipe mounting accessories

➤ VB5 sensor



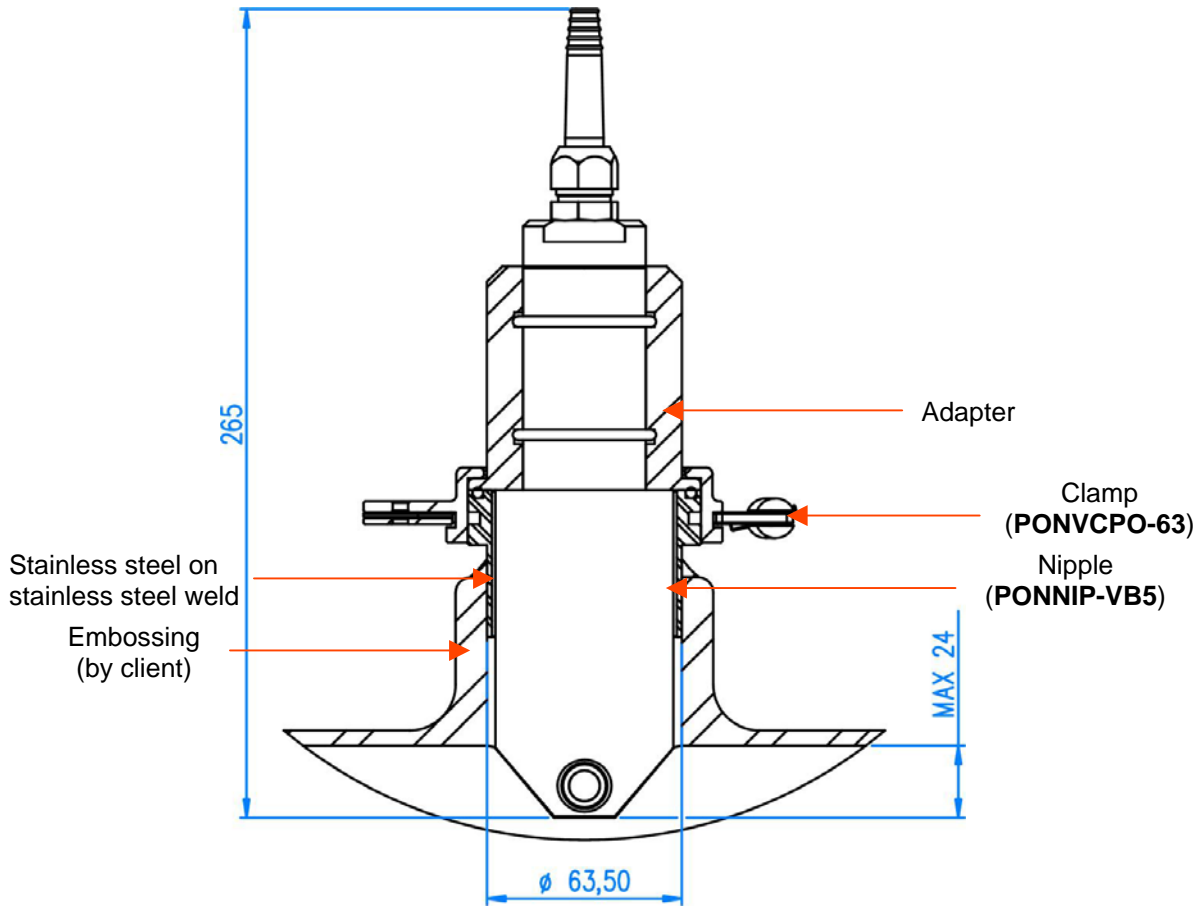
OPTICAL TRANSMITTERS

➤ Capteur VB20

Contact your usual sales outlet for information on VB20 sensor PVC pipe mounting.

Stainless-steel pipe mounting accessories

➤ **VB5 sensor**



OPTICAL TRANSMITTERS

➤ **VB20 sensor**

Contact your usual sales outlet for information on VB20 sensor stainless steel pipe mounting.