

➤ ORP MEASUREMENT

ACTEON 2020 TRANSMITTER

- Robust, watertight, easy to install,
- Widescreen graphic display: instant measurements, trend line, relay state, calibration state,
- Fast and simple intuitive programming;
- 4-20 mA outputs, 2 programmable relays.



Fields of application

- Wastewater treatment, (input/output controls, aeration and anoxic tanks, odour control unit),
- Industrial effluent treatment (waste controls, etc.),
- Underground water monitoring, etc.

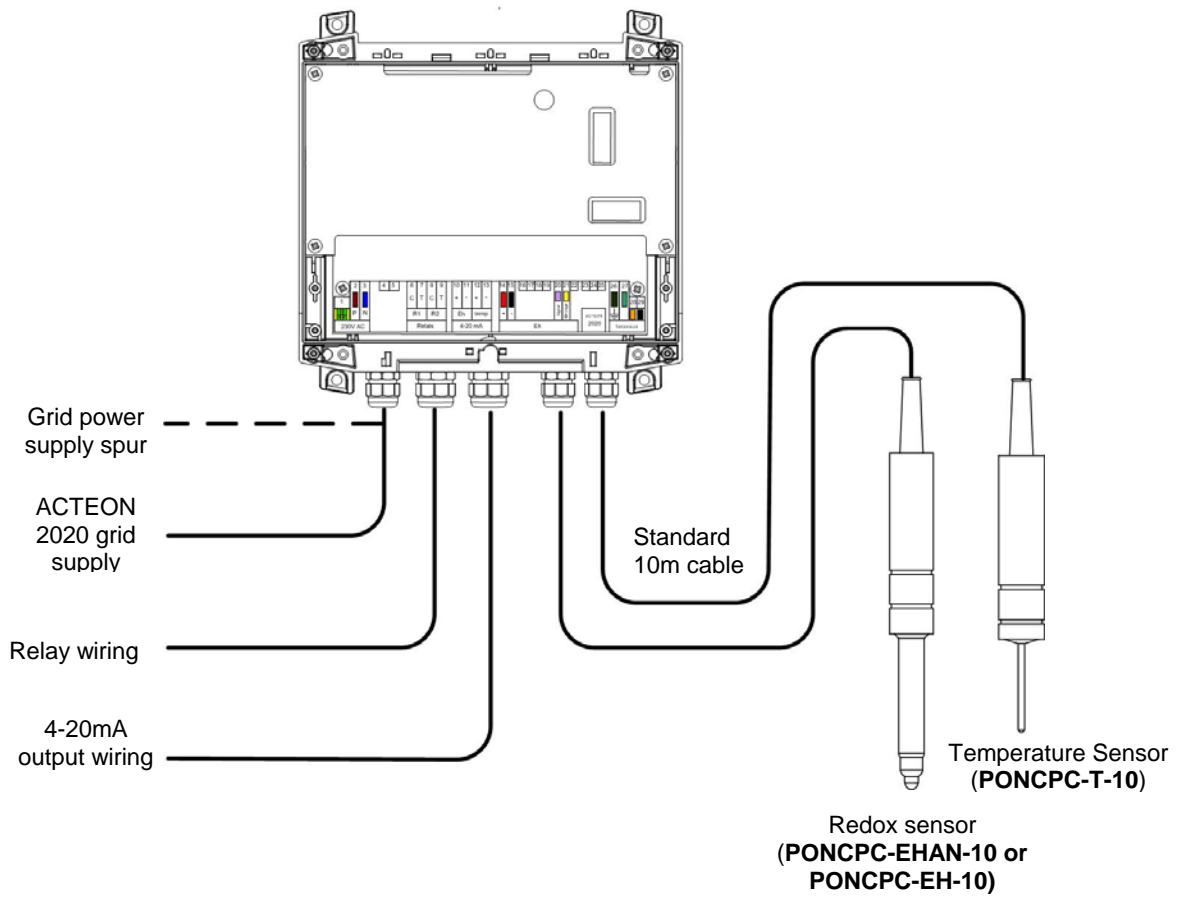
Advantages

- Widescreen graphic display for up to 24h data graphs,
- Six menus for intuitive programming,
- Guided 1 or 2 point calibration, with plausibility checks,
- 2 x 4-20 mA outputs (Redox and temperature), 2 relay outputs (with several programming modes).

Technical specifications

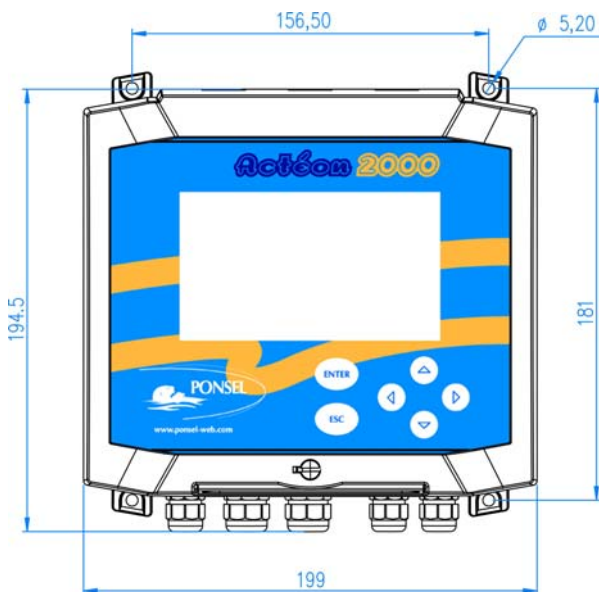
Redox measurement range	- 1000 to + 1000 mV
Redox measurement accuracy	± 5 mV
Temperature measurement range	-10 to +50 °C
Temperature measurement accuracy (°C)	±0.1°C
Casing	ABS
Protection	IP 65
Operating temperature range	-25°C to +55°C
Dimensions (L x W x D) /Weight	173 x 195 x 103mm / 1.5kg
Display	Widescreen back-lit graphic display: 240 x 128 pixels (108 x 58mm)
Power supply	230/115VAC 60Hz, Optional: 24Vdc
Max power consumption	10VA
4-20mA outputs	2 galvanic isolation outputs (max load 700 Ohms): - Adjustable from -1000 to +1000mV - Adjustable from -10 to +50 °C
Relay outputs	2 relays, configurable in 2 different modes: - Adjustment in alarm mode (1 Redox and 1 temperature (°C) threshold) - Adjustment in regulation mode (two Redox thresholds with two relays)

Overview

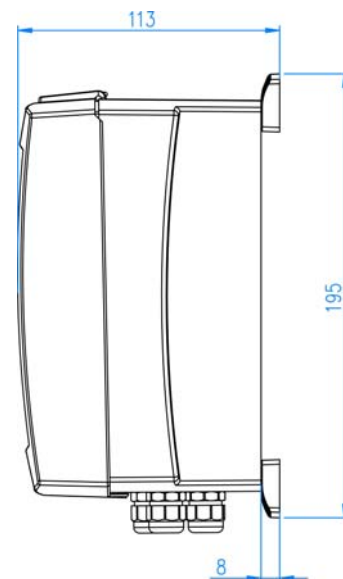


PHYSICO-CHEMICAL TRANSMITTERS

Dimensions

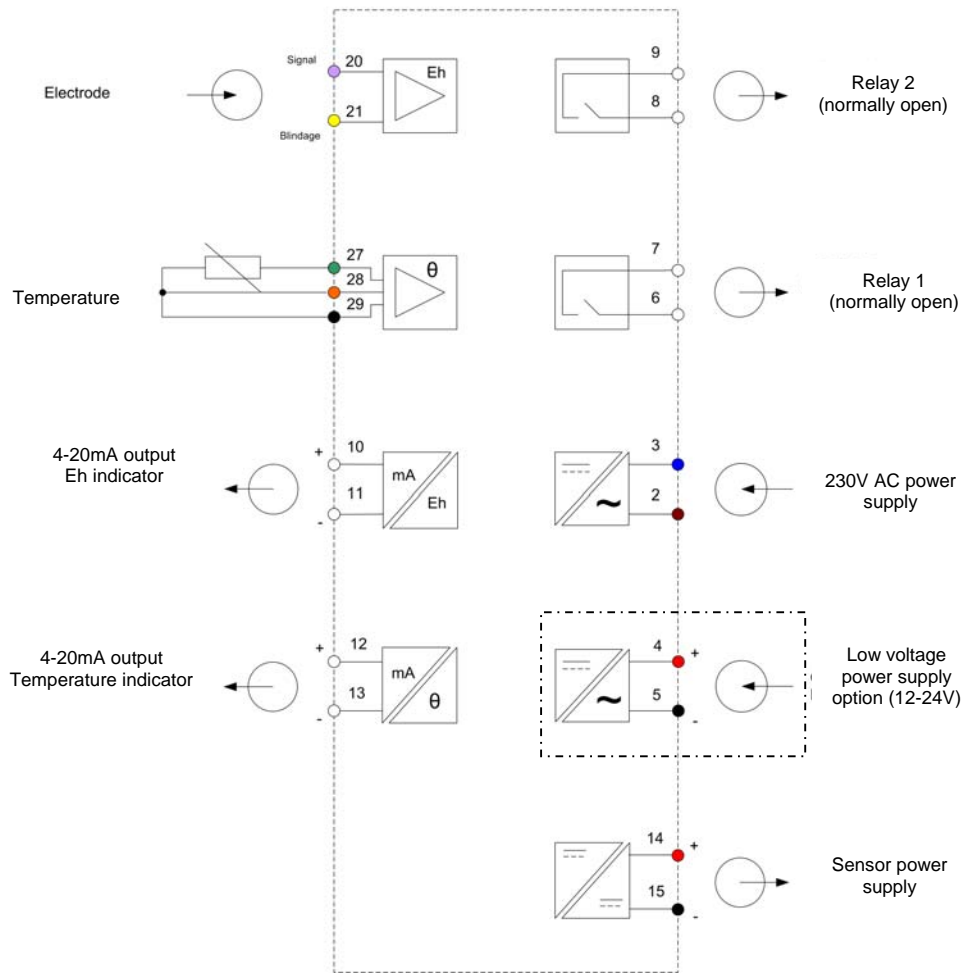


ACTEON 2000 Front view



ACTEON 2000 Side view

Electrical connections

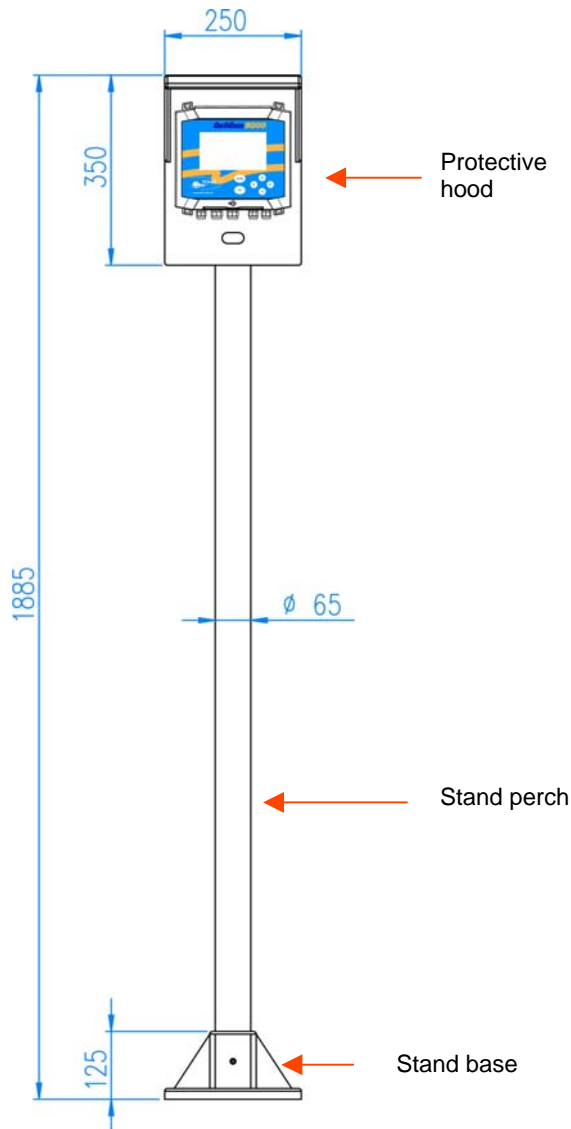


**Only with
12-24V
option**

PHYSICO-CHEMICAL TRANSMITTERS

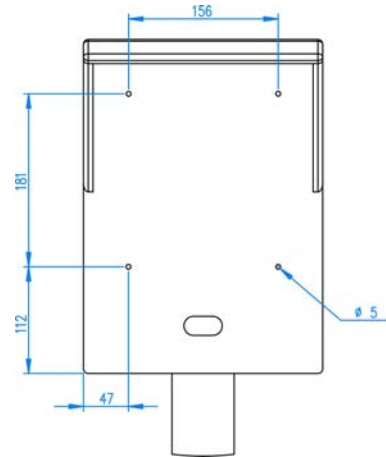
ACTEON 2020 MOUNTING ACCESSORY

Stand and protective hood: PON-PDPVC-1

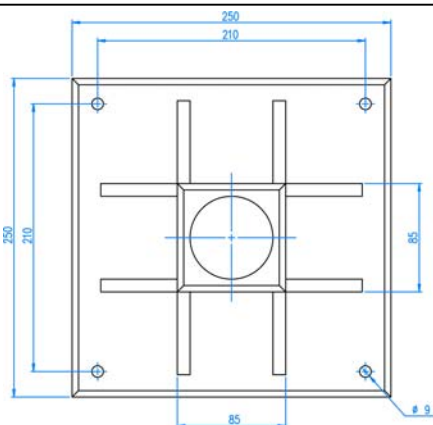
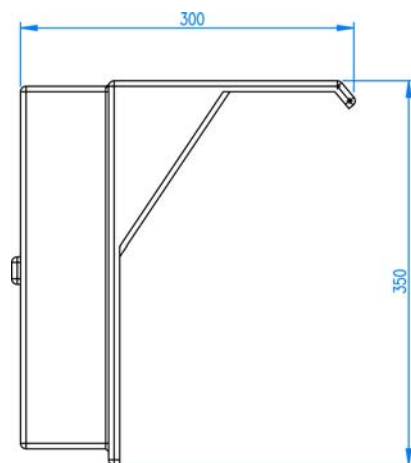


Stand hood - Front view

The ACTEON sensor is secured to the hood with 4 M5 type screws.



Stand hood - Side view



Ground fixing stand base

Fix the stand base onto a flat surface with 4 screws (under M9 diameter)

PHYSICO-CHEMICAL TRANSMITTERS

REDOX SENSOR: PONCPC-EHAN-10

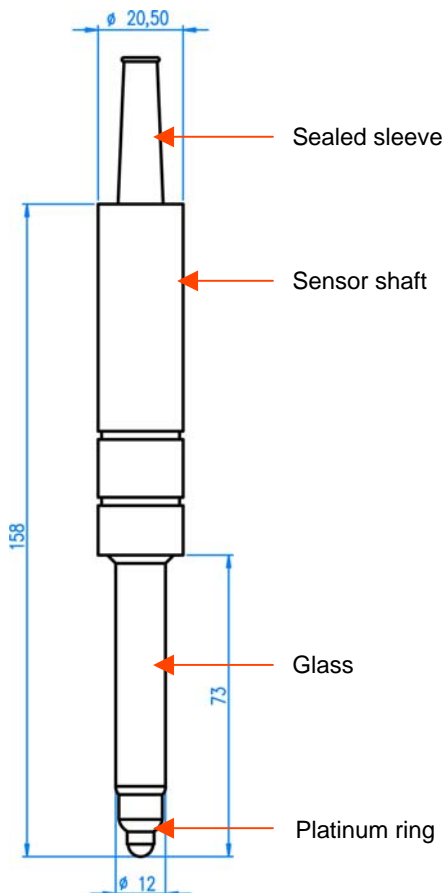
The combined EHAN/reference sensor is widely used in waste water treatment (plant entry, nitrification/denitrification control in the biological tank), odour control, etc.
 The reference uses a KCl gel for optimum measurement stability and durability.
 The EHAN annular platinum cathode sensor (for applications in process) with reverse junction burn-in is used for regulation applications.



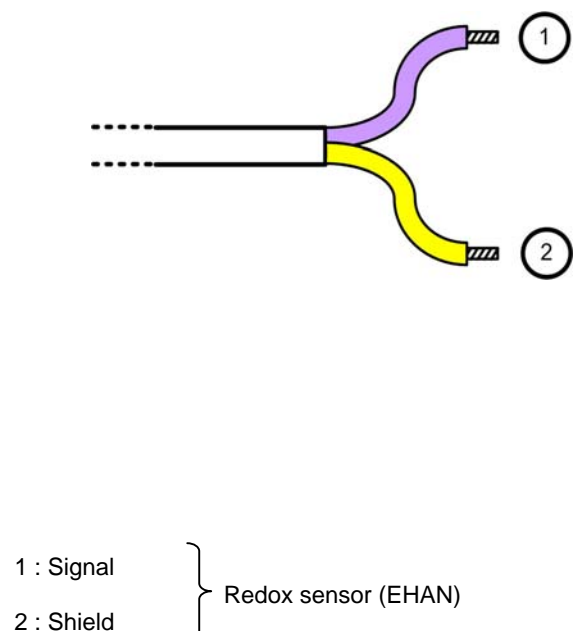
Technical specifications

Measurement principle	Annular reverse burn-in platinum cathode
Reference	Ag/AgCl gelled electrolyte (Plastogel KCl 3M)
Measurement range	- 1000 to + 1000 mV
Material	Delrin, glass, platinum
Weight	440g (with cable)
Protection	IP68
Cable	Coaxial shielded, 10m standard length (other lengths on request)
Pressure	5 bars
Operating temperature	-10 to + 45°C

Dimensions



Electrical connection



REDOX SENSOR : PONCPC-EH-10

The combined EH/reference sensor is widely used in waste water treatment (plant entry, nitrification/denitrification control in the aeration tank), odour control, natural water, etc.

The reference uses a KCl gel for optimum measurement stability and durability.

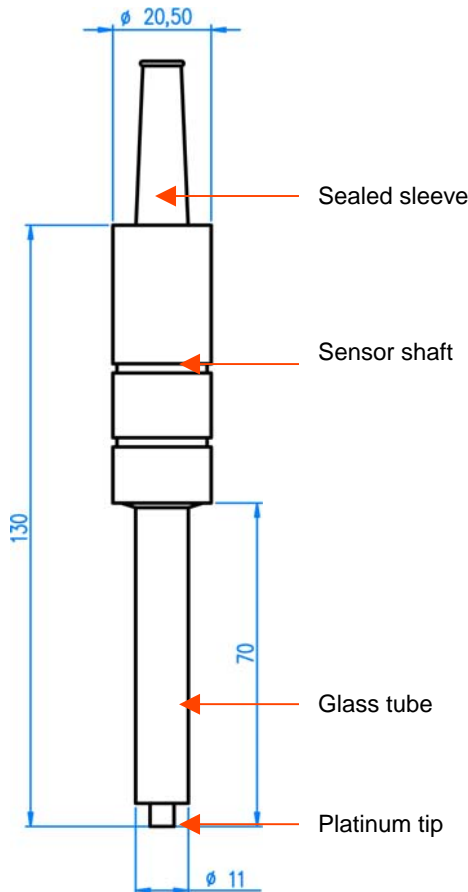
The EH sensor has a platinum tip cathode for fast and/or one-off measurement applications.



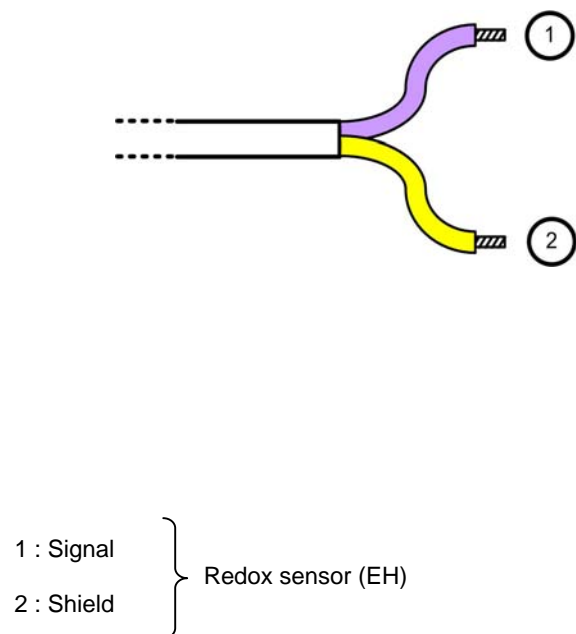
Technical specifications

Measurement principle	Platinum tip cathode
Reference	Ag/AgCl gelled electrolyte (Plastogel KCl 3M)
Measurement range	- 1000 to + 1000 mV
Material	Delrin, glass, platinum
Weight	440g (with cable)
Protection	IP68
Cable	Coaxial shielded, 10m standard length (other lengths on request)
Pressure	5 bars
Operating temperature	-10 to +45°C

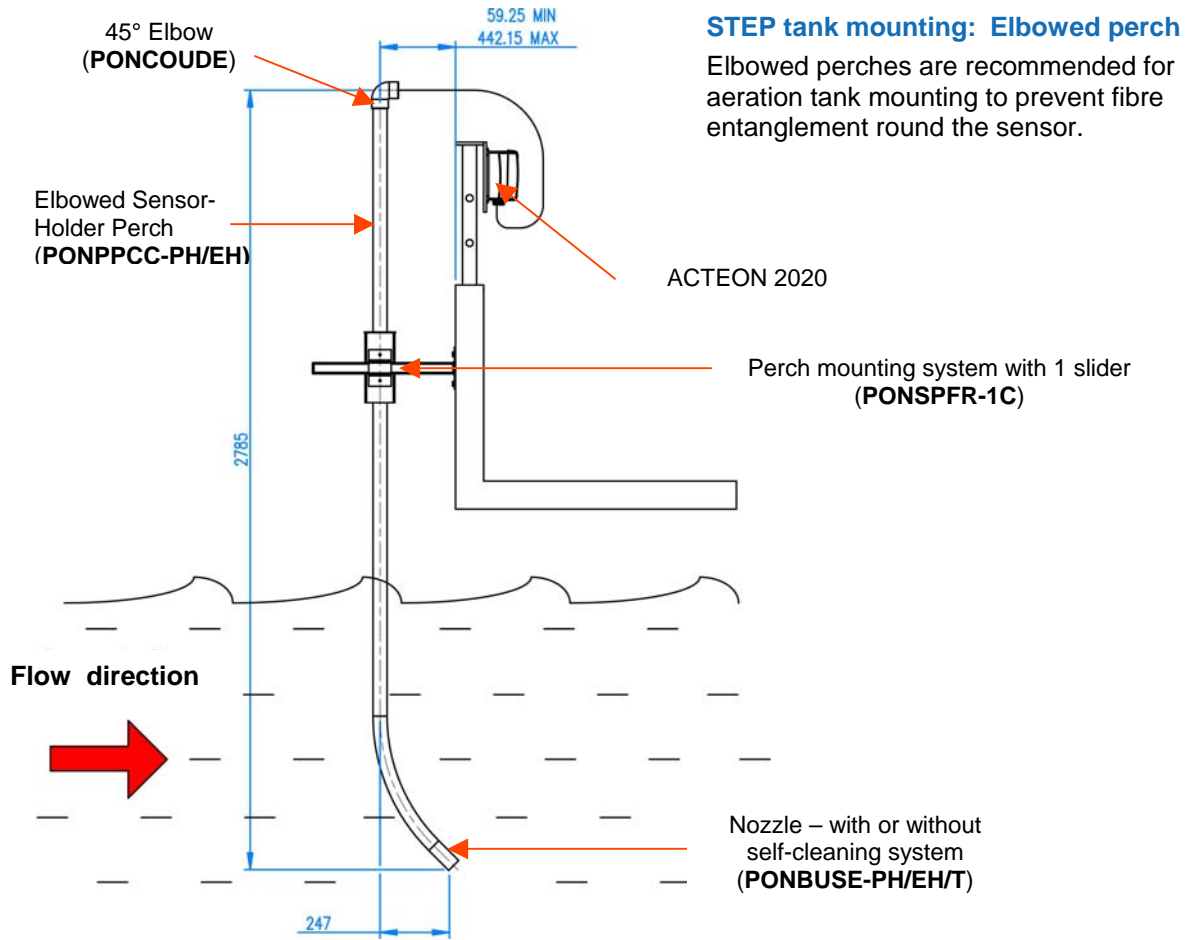
Dimensions



Electrical connection

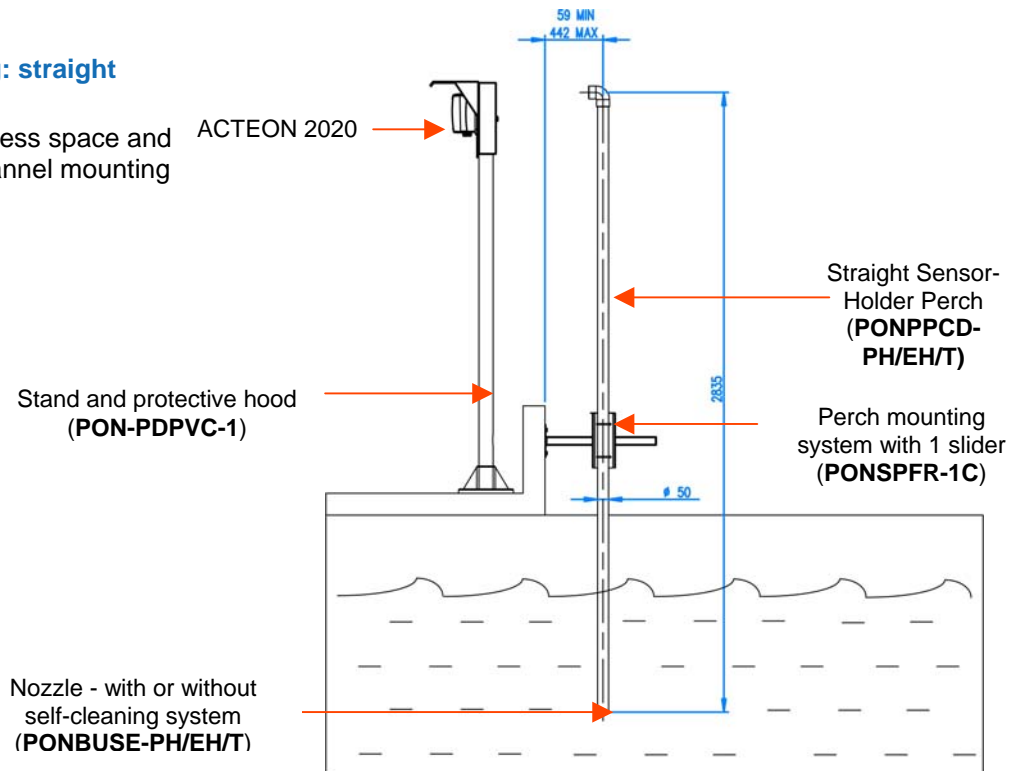


TANK AND OPEN CHANNEL MOUNTING ACCESSORIES



Open channel mounting: straight perche

Straight perches take up less space and are recommended for channel mounting with fibre-free water.

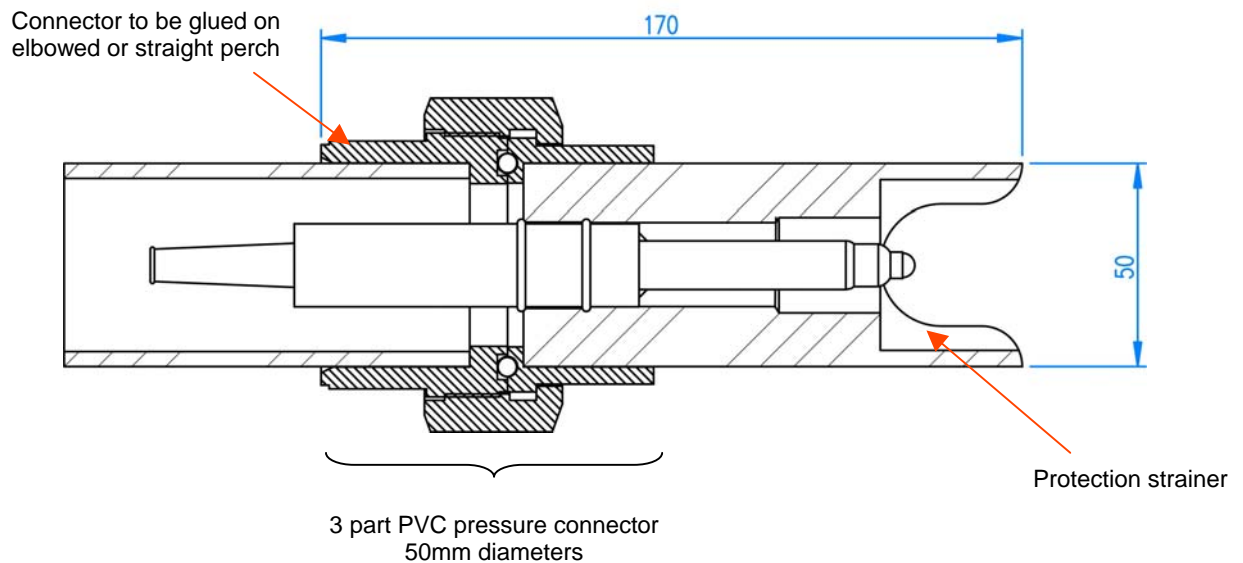


PERCH MOUNTING NOZZLES

➤ EHAN sensor

EHAN sensor nozzle (PONBUSE-PH/EH/T)

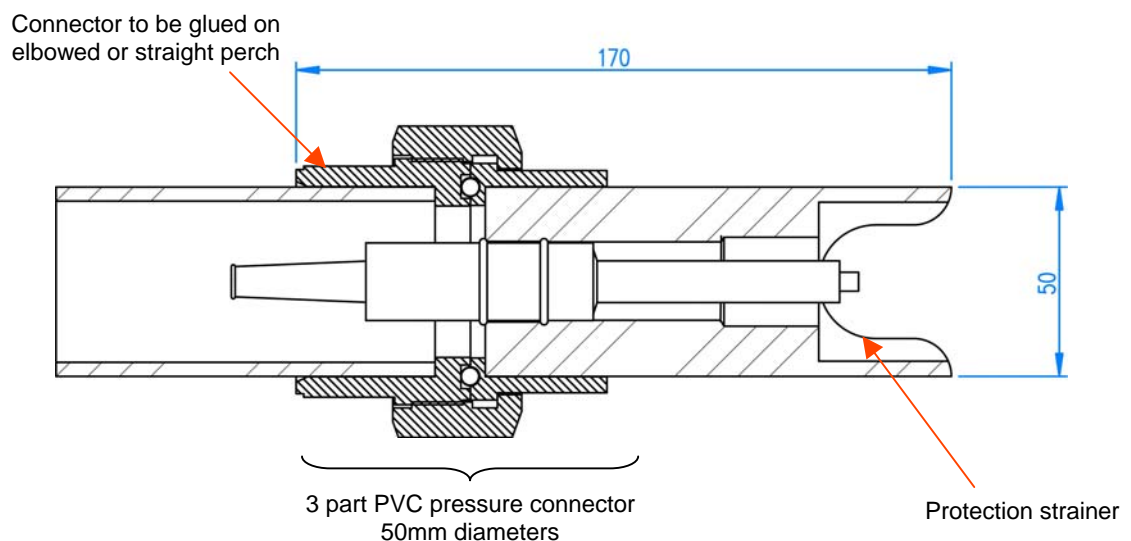
The EHAN sensor holding nozzle can be used with PONSEL elbowed or straight perches or adapted to your own perch.



➤ EH sensor

EH sensor nozzle (PONBUSE-PH/EH/T)

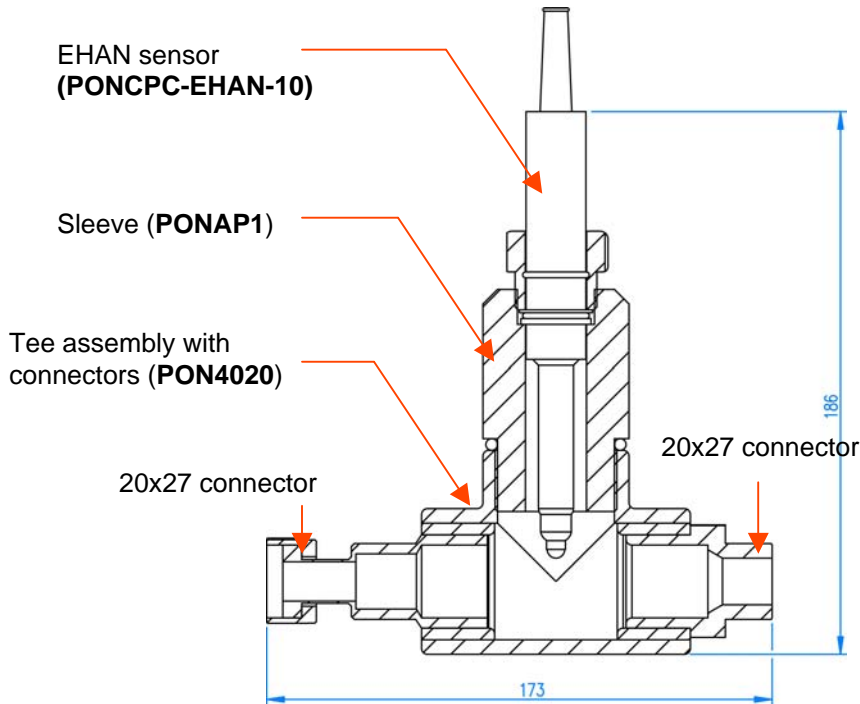
The EH sensor holding nozzle can be used with PONSEL elbowed or straight perches or adapted to your own perch.



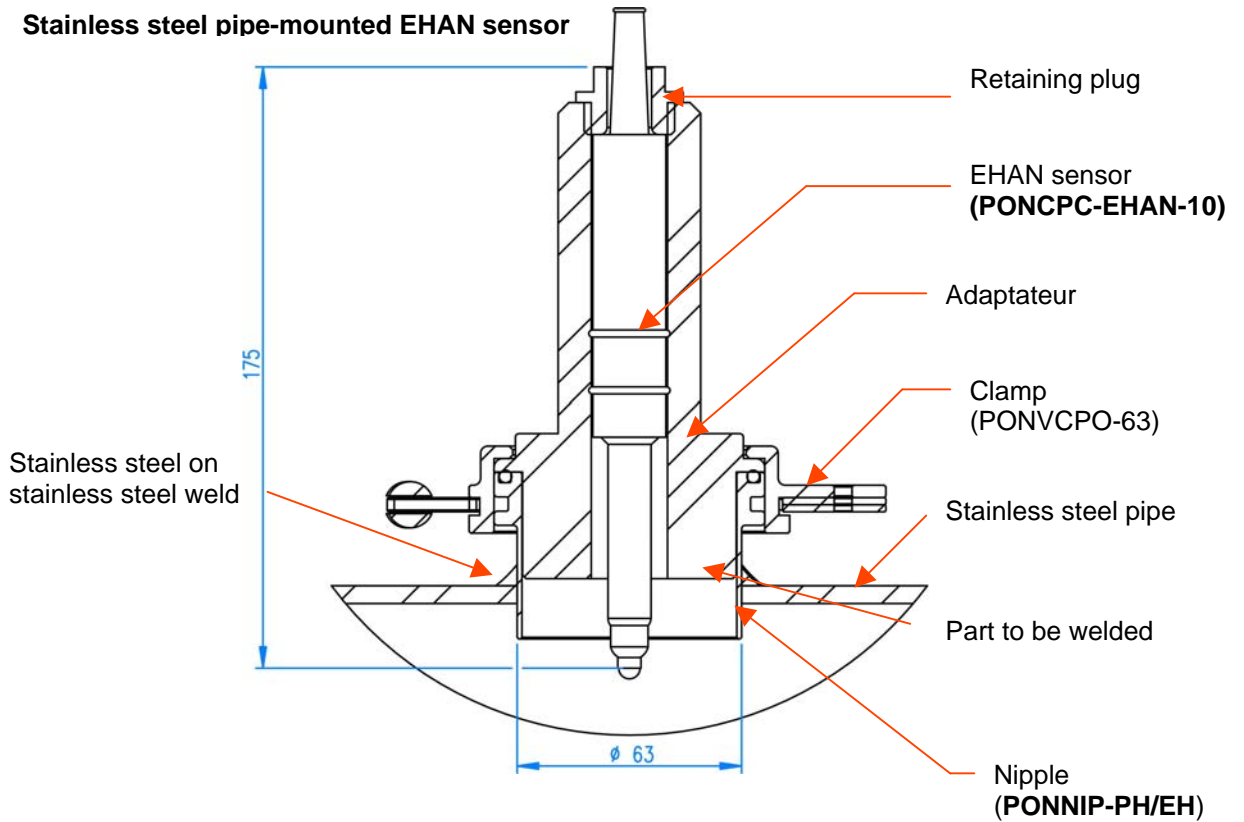
PIPE-MOUNTING ACCESSORIES

➤ EHAN sensor

PVC pipe-mounted EHAN sensor



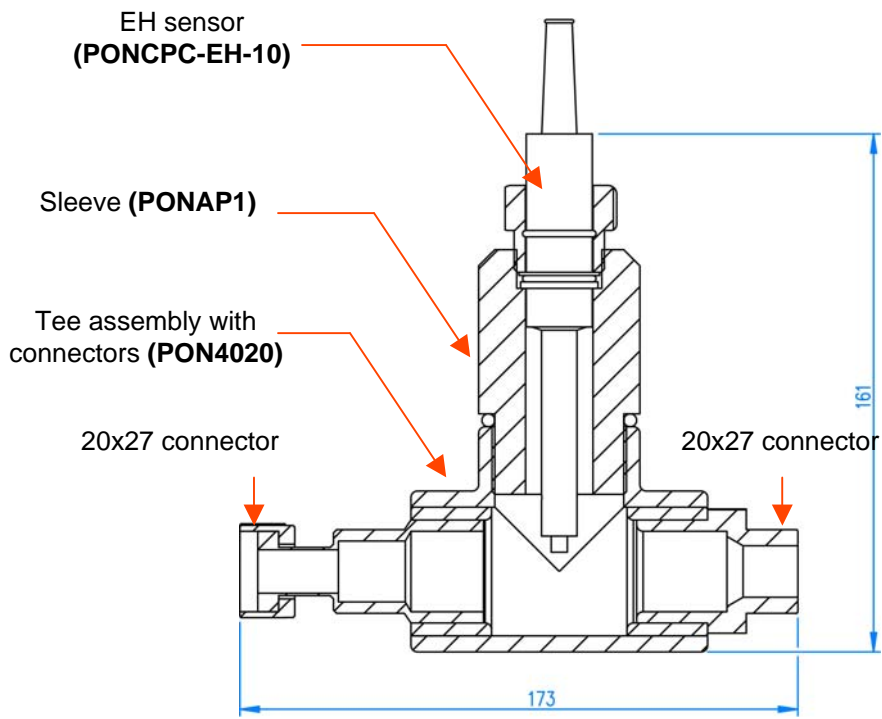
Stainless steel pipe-mounted EHAN sensor



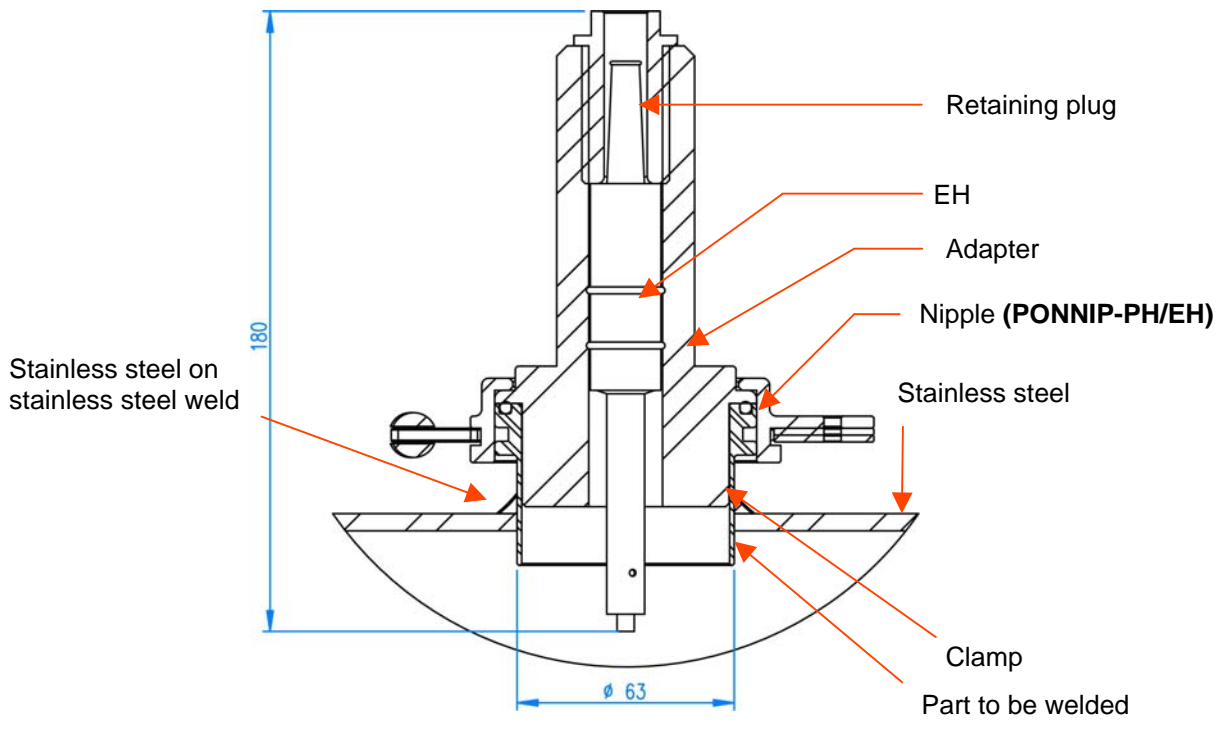
PHYSICO-CHEMICAL TRANSMITTERS

➤ EH sensor

PVC pipe-mounted EH sensor



Stainless steel pipe-mounted EH sensor



PHYSICO-CHEMICAL TRANSMITTERS