

PERMANENT INSTRUMENT

ACTEON 2030

New pH and temperature field transmitter

- STUDY, WATERTIGHT, EASY TO INSTALL
- QUICK AND SIMPLE INTUITIVE PROGRAMMING
- 4-20 mA OUTPUTS, PROGRAMMABLE RELAYS



Simple, sturdy and reliable like its legendary predecessor, the APF series, with additional digital intelligence and leading-edge technology.

Fields of application:

- Wastewater treatment (aeration tanks for controlling/regulating nitrification/denitrification processes);
- Drinking water (raw water control);
- Industrial effluent treatment (waste controls, etc.);
- Surface water monitoring;
- Fish farming, etc.

Advantages:

- Sturdy, watertight, easy to install;
- Widescreen graphic display: instant measurements, trend line, calibration state; Quick and simple intuitive programming;
- 4-20 mA outputs, programmable relays.

Technical specifications	
Oxygen measurement range	0.00 to 50.00mg/L or 0.0 to 200.0%
Oxygen measurement accuracy	±0.2mg/l or ±2%
Temperature measurement range	-10.00 to +50.00°C
Temperature measurement accuracy (°C)	±0.1°C
Casing	ABS
Protection	IP 65
Operating temperature	-25°C to +55°C
Dimensions (L x W x D) /Weight	173 x 195 x 103mm / 1.5kg
Display	Widescreen back-lit graphic display: 240 x 128 pixels (108 x 58mm)
Power supply	230/115 Vac 60Hz, Optional: 24Vdc
Max power consumption	10VA
4-20mA outputs	2 galvanic isolation outputs (max load 700ohms): - Adjustable from 0.00 to 50.00 mg/L or from 0.0 to 200.0 %/L - Adjustable from -10.00°C to +50.00°C
Relay outputs	2 relays that can be configured in 3 different modes: - Adjustment in alarm mode (1 O ₂ and 1 temperature (°C) threshold) - Adjustment in regulation mode (two O ₂ thresholds with two relays). - Adjustment on 1 High threshold/Low threshold relay – forced Start-up/Shutdown

Oxygen Sensors:

OXYT sensor: Slow polarographic sensor. Ideal for process regulation applications.



OXYT sensor:

- **Materials:** Platinum cathode, silver anode, 50µm-thick PTFE membrane, stainless steel and Delrin, IP68. Temperature measurement: PT 100.
- **Dimensions:** Diameter 20.5mm x Length 130mm
- **Weight:** 100g
- **Cable:** 10m standard length (up to 100m as an option), multiple wires, coated shielded PU.

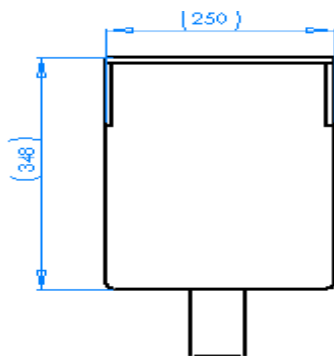
O2T sensor: Quick polarographic sensor for taking instant field measurements.

O2T sensor:

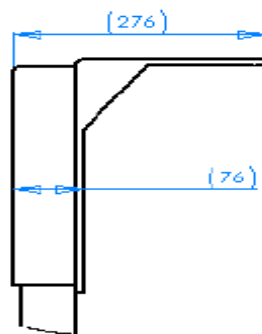
- **Materials:** Platinum cathode, silver anode, 20µm-thick PTFE membrane, stainless steel and Delrin. IP68.
- **Temperature measurement:** PT 100.
- **Dimensions:** Diameter 20.5mm - Length 130mm - **Weight:** 100g.
- **Cable:** 4-wire coated and shielded PU cable. 10m standard length (up to 100m on request). 40g/m.



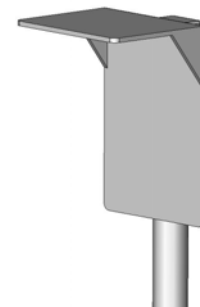
Accessories for electronic unit installation:



A (1 : 5)

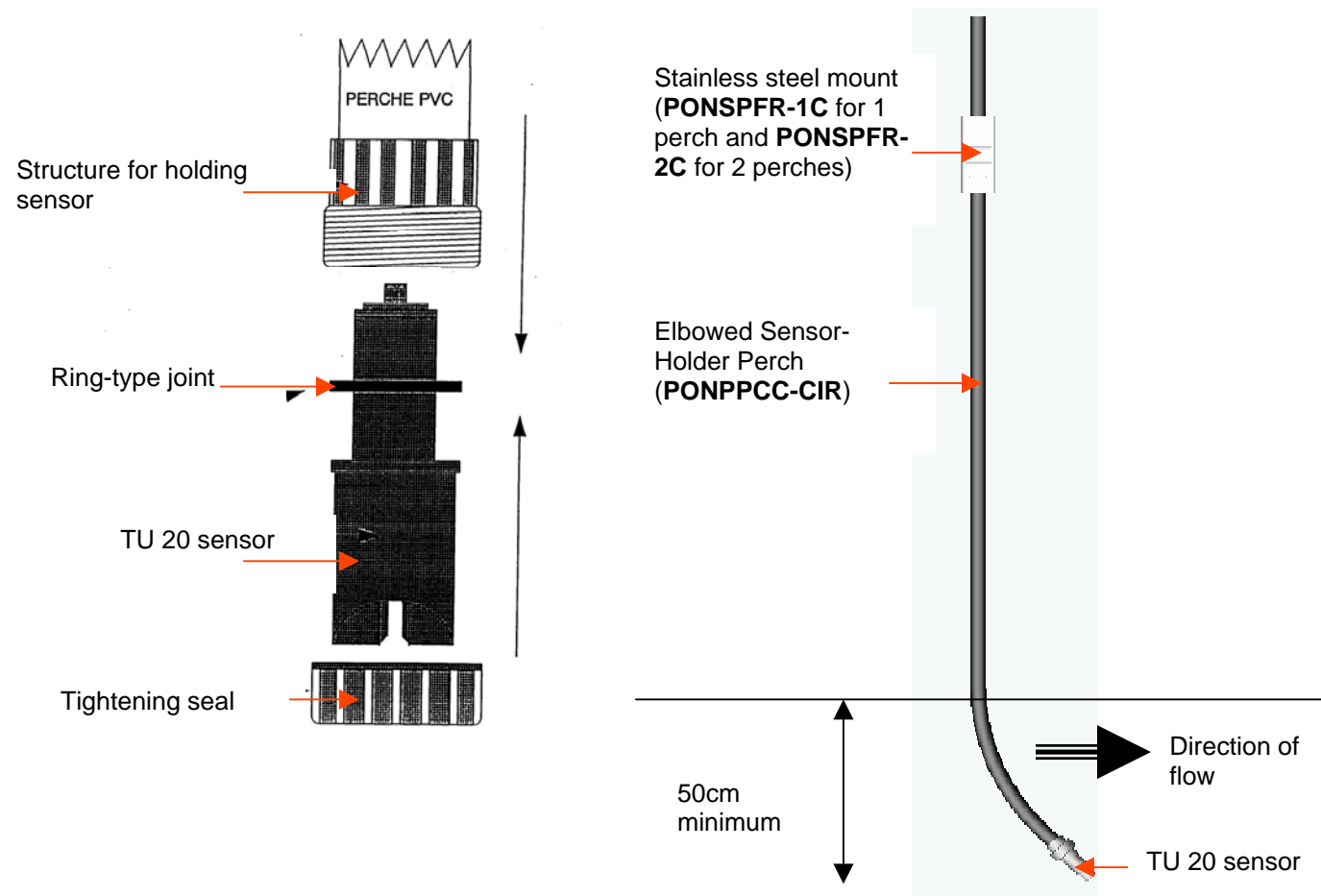


B (1 : 5)

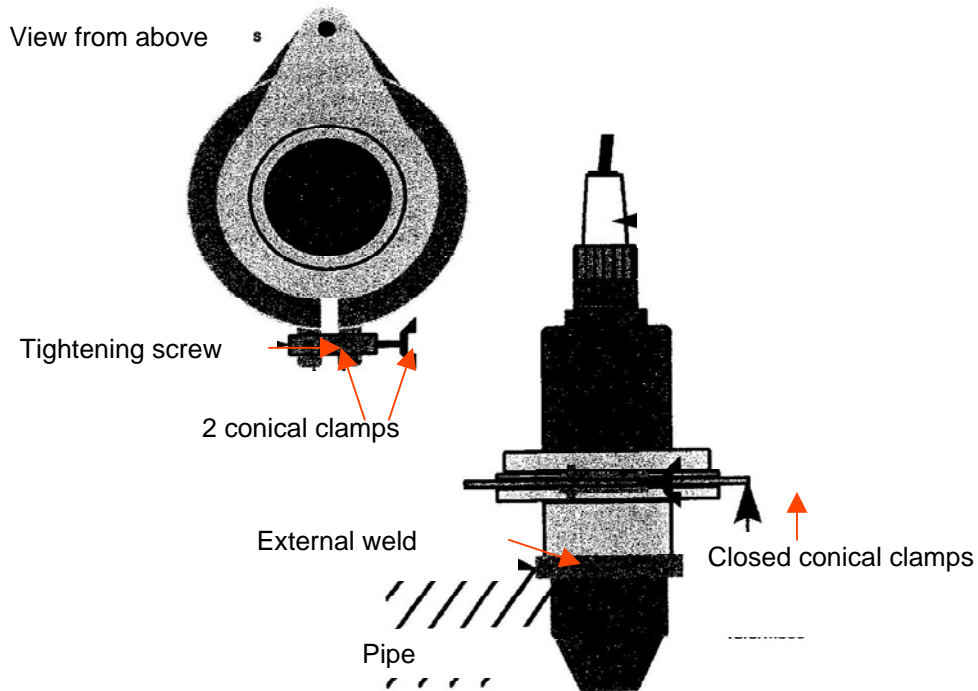


Hood mount for the ACTEON 2052 transmitter (**PON-PDPCV-1** for 1 transmitter and **PON-PDPCV-2** for 2 transmitters).

Accessories for sensor installation in tanks and open canals:



Accessories for sensor installation in pipes:



TU 20 sensor for in- pipe installation with a quick mounting/dismounting system using conical coupling clamps